

# Flexible Couplers



Flexible Couplers are used to avoid/reduce three different kinds of alignment errors i.e. Radial, Axial & Angular. Hence it reduces the load exerted on the bearings inside an Encoder & increases life of the Encoder. A Flexible Coupler acts as FUSE for an Encoder.

Depending on the type of couplings particular attention should be paid to radial shaft displacement.

- Flexible Couplers for all types of Encoders, Potentiometers & Tachos.
- Types: Spiral, Slit, Bellow & Cardanic. Please Turn Over for figures for AF/ AS type couplings.
- Bores: Starting from 2mm upto 25mm bores available\*, with key-way options.
- Bellow Couplers in Stainless Steel - imported from M/s Kubler, Germany.
- Extremely SHORT-DELIVERY periods., Standard models available EX-STOCK.
- \* Also available in Non-Standard sizes, please inform ID1, ID2, OD & Length needed.

<u>Parameter</u>	<u>Metal Bellows</u>	<u>Spring Washer</u>	<u>Spiral (AF/AS types)</u>
Speed	Max 8000 RPM	Max 12000 RPM	Max 6000 RPM
Torque	Max 80 Ncm or 20Ncm	20Ncm	20Ncm
Radial Displacement	+0.3mm	+0.2mm or +0.3mm	+0.3mm
Angular Displacement	+3 to +4 degree	+2 to +3 degree	+3 degree
Diameter	4....12mm OR 3....8mm	4....10mm OR 3....8mm	6, 8, 10, 11 & Non-Std

\* While Ordering, Specify ID1, ID2, OD, Length & the needed type - (Bellow, Spiral - AF= Flange Type, AS= Screw type).



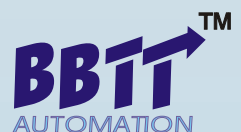
For More Details Contact:

M/s Rajdeep Industrial Products Ltd - BBTT / Automation Divn.

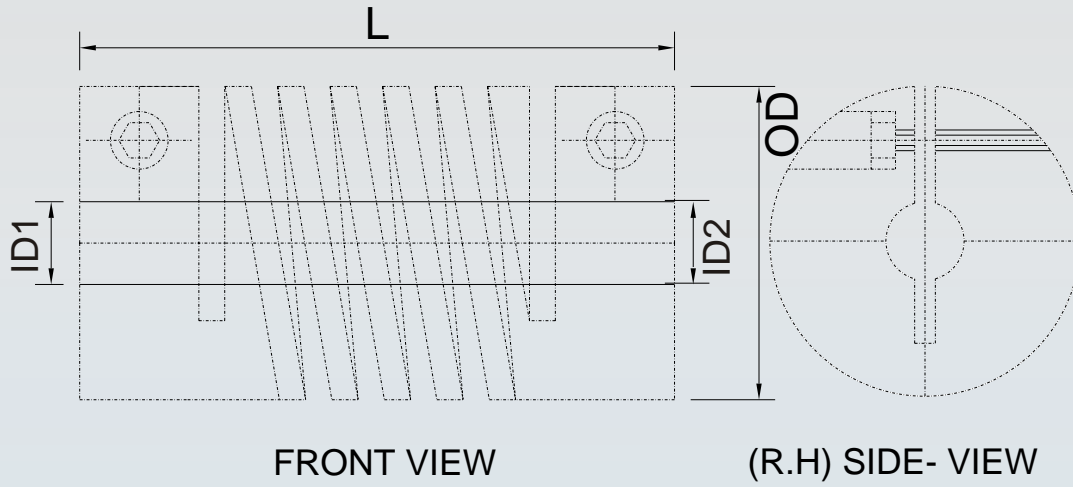
Pune # 411 002.

Tel#: 020-4453502/3, 4467166 ; 022-3864105, 3828092. Fax #: 020-4453589 ; 022-3893252

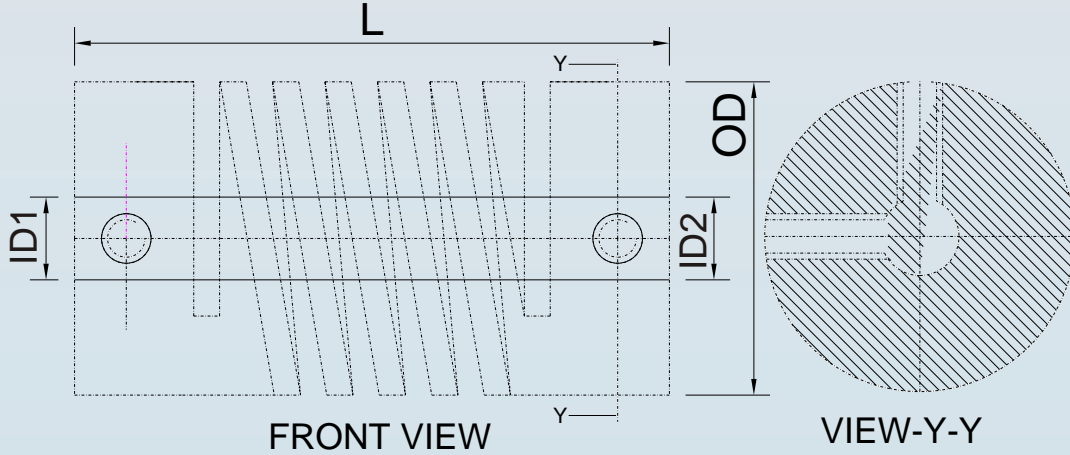
Email: shrenik@pn2.vsnl.net.in or rajdeep@bom5.vsnl.net.in Website: www.rajdeepindia.com



## AF- TYPE FLEXIBLE COUPLER



## AS-TYPE FLEXIBLE COUPLER



- \* MATERIAL: ALUMINIUM.
- \* All Dimensions shall be in mm.