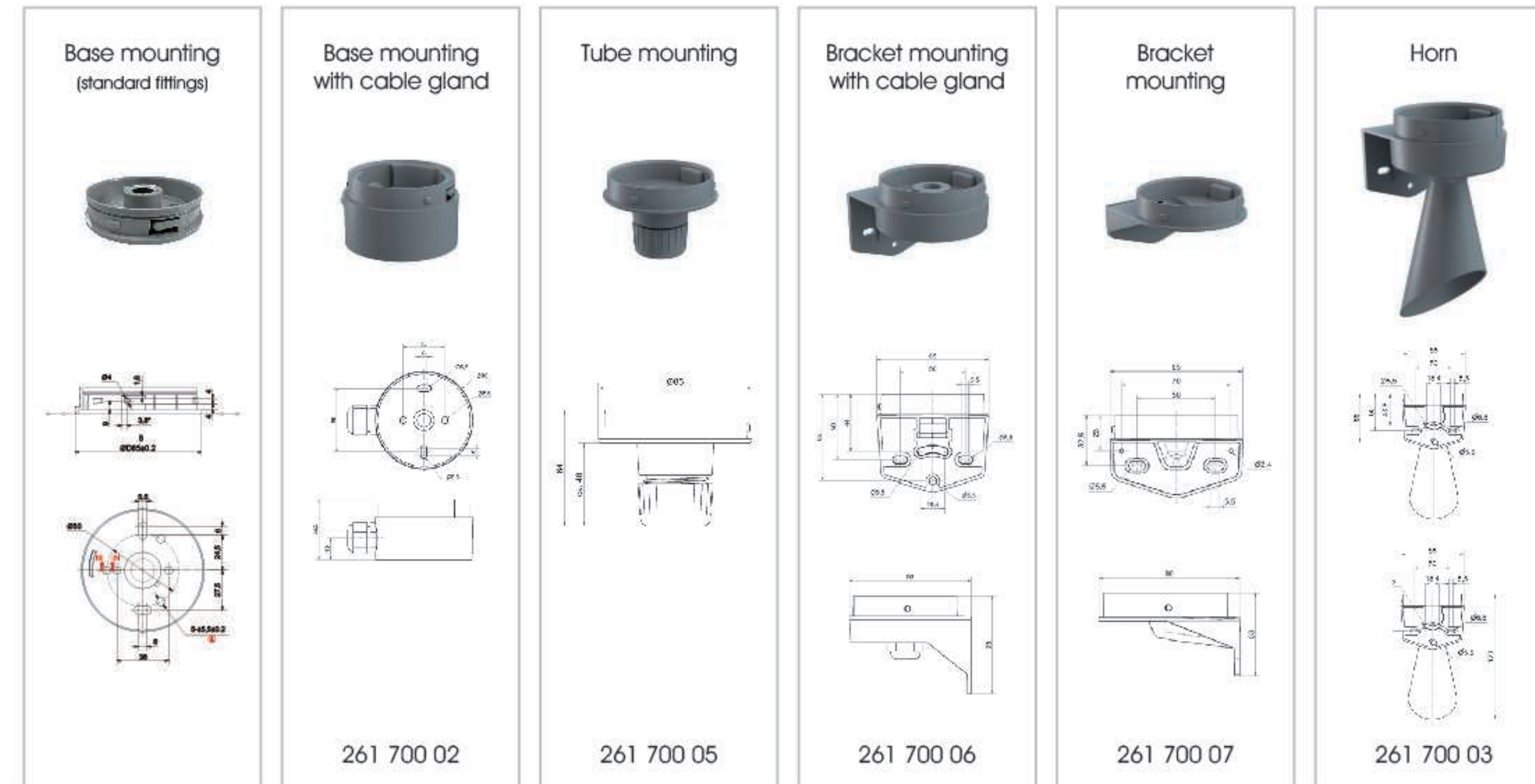


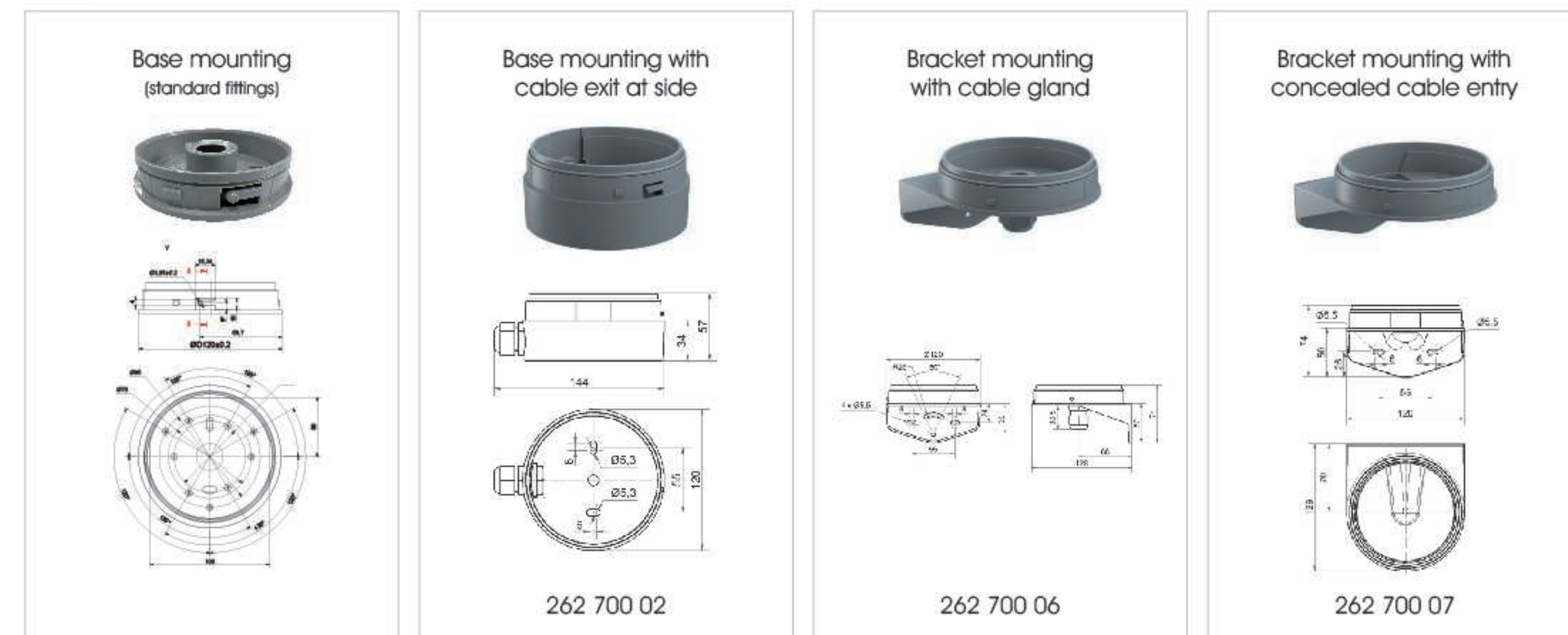
## D Series Optical and Audible Combination Beacons

### ACCESSORIES DIAGRAM

#### D85/D85\*



#### D120



WERMA (Shanghai) Co., Ltd.  
 Building 8, No. 85 Mingnan Road,  
 Songjiang, Shanghai, P.R.C.  
 201613  
 Phone: +86/ (0)21/5774 0022  
 Fax: +86/ (0)21/5774 6601  
 www.werma.com  
 info@werma.com.cn

## D Series Beacons

— Daring, Dazzling, Dynamic

### D Series Optical and Audible Combination Beacons

|                    |                                     |
|--------------------|-------------------------------------|
| Voltage            | 24V.DC                              |
| Protection rating: | IP 66                               |
| Light effects      | LED                                 |
| Tone type          | Continuous/pulse/rising/alternating |
| Life duration      | 50,000h                             |



## D Series Optical and Audible Combination Beacons

## D Series Optical and Audible Combination Beacons

**Custom is available**  
low or high versions according to individual needs

**Six installation methods**  
easy to meet various applications

**High protection rate**  
IP66 can be used in most of circumstances

**Excellent luminous effect**  
creative design to achieve the more uniform light emission

**Twin function coexistence**  
Both standard and advanced editions are available

The D Series beacons are the standardized optical and audible combination beacons developed and produced by WERMA Shanghai in 2023. This product has eliminated the previously complicated models and styles, integrating the functions of various signal beacons into one universal and easy-to-select product. The D-Series warning lights come in three size categories: D62, D85, and D120, which can replace thousands of signal beacons in the market. In addition, the D Series adopts an innovative light guide film design, enhancing the uniformity and integrity of the signal light's illumination effect. Its quick-connect terminals allow for rapid installation, saving time, while its hole positions (of the same size) can adapt to all installation points in the market, enabling quick replacements and seamless connections. Furthermore, both tube mounting and base mounting options are combined in the D Series, facilitating multiple installation methods with the assistance of installation accessories. Lastly, for the D85 warning light, both standard and advanced editions are available, not only meeting customers' standardized requirements but also providing more room for customization, effectively avoiding cost waste from unused features.



### TECHNICAL SPECIFICATIONS

| Specifications          | Type | D62                        | D85              | D85+                       | D120                            |
|-------------------------|------|----------------------------|------------------|----------------------------|---------------------------------|
| Dimensions (Ø x Height) |      | 62x85mm                    | 85x125mm         | 85x125mm                   | 120x170mm                       |
| Materials               |      | PC, PC/ABS                 | PC, PC/ABS       | PC, PC/ABS                 | PC, PC/ABS                      |
| Life duration           |      | 50,000h                    | 50,000h          | 50,000h                    | 50,000h                         |
| Protection rating       |      | IP66                       | IP66             | IP66                       | IP66                            |
| Voltage                 |      | 24V                        | 24V              | 24V                        | 24V                             |
| Connection              |      | Push-in terminal           | Push-in terminal | Push-in terminal           | Push-in terminal                |
| Dome colour             |      | Red/Yellow/Green           | Red/Yellow       | Red/Yellow                 | Red/Yellow                      |
| Light effects           |      | Flash/Permanent            | Blink/Permanent  | Blink/Flash/Revolving      | Permanent/Blink/Flash/Revolving |
| Buzzer                  |      | 85dB                       | 85dB             | 97dB                       | 88-100dB                        |
| Tone type               |      | Continuous tone/Pulse tone |                  | Rising /Alternating /Pulse |                                 |
| Working temperature     |      | -30°C/+50°C                | -30°C/+50°C      | -30°C/+50°C                | -30°C/+50°C                     |

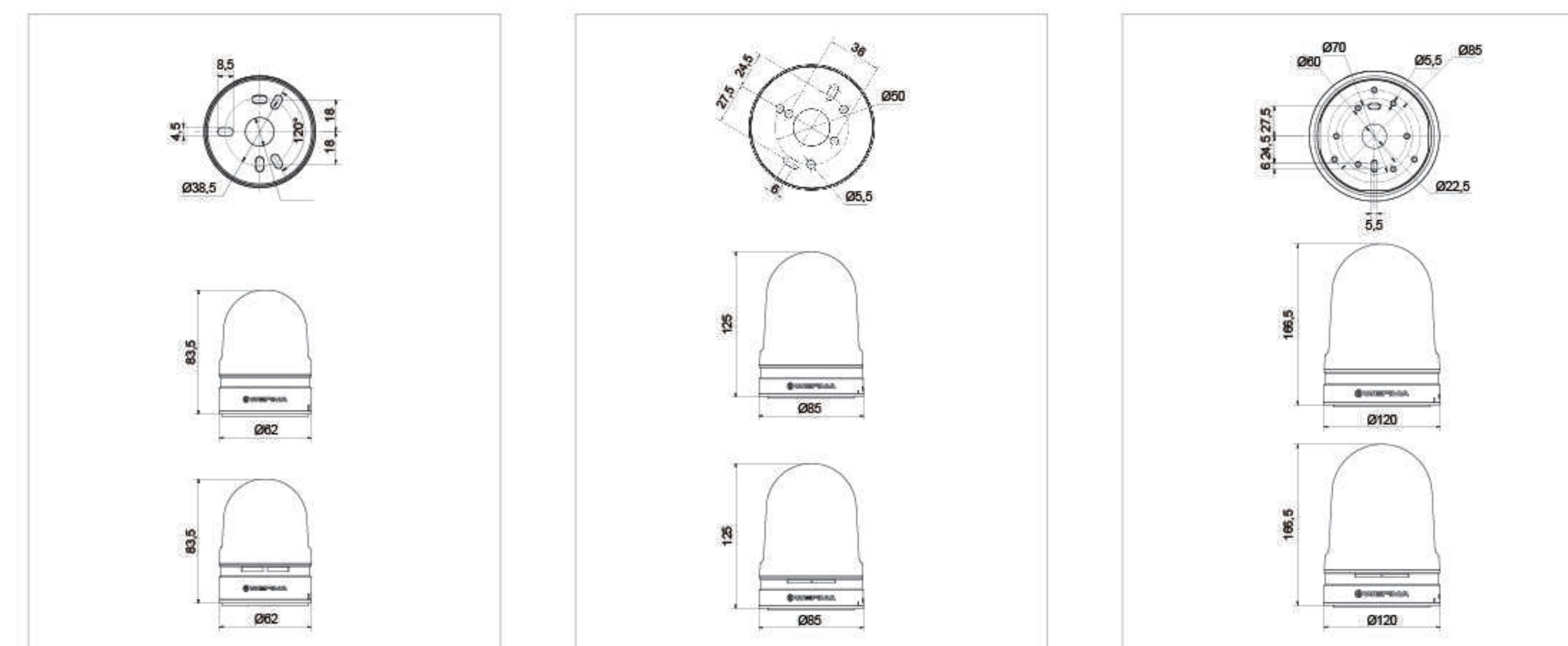
### Order no.

| Colour               | Type | D62        | D85        | D85+       | D120       |
|----------------------|------|------------|------------|------------|------------|
| Red                  |      | 810 612 05 | 810 812 05 | 810 862 05 | 810 060 05 |
| Yellow               |      | 810 632 05 | 810 832 05 | 810 882 05 | 810 080 05 |
| Green                |      | 810 622 05 | -          | -          | -          |
| Red (With buzzer)    |      | 410 612 35 | 410 812 35 | 410 862 45 | 410 060 45 |
| Yellow (With buzzer) |      | 410 632 35 | 410 832 35 | 410 882 45 | 410 080 45 |

\*Any other requirements (appearance/function), can be customized



### TECHNICAL DIAGRAM



### ACCESSORIES DIAGRAM

#### D62

