

MPA 41 A 700

Multiplexed Amplifier

Remote Photoelectric Systems



Product Data	
Function	Amplifier
Supply Voltage	230 V ac
Sensing Range	35 m
Number of Channels	4
Output	4 individual relays and 4 individual NPN/PNP
Sensitivity Adjustment	Manual
Housing	Screw terminals

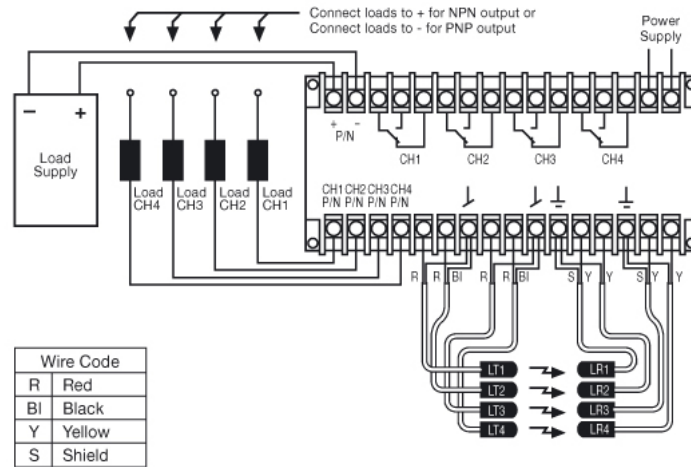
Technical Data	
Supply Voltage	230 V ac
Voltage Tolerance	+/- 15 %
Current Consumption	Max. 6,5 VA
Response Time ton / toff, Relay	Short range: 35ms/35ms Long Range: 60 ms/60 ms
Response Time ton / toff, Transistor	Short range: 25 ms/25 ms Long Range: 50 ms/50 ms
Output, Relay	1 open/ 1 close, 250 V ac/3 A, 120 V ac/5 A
Output, Transistor	40 mA / 30 V dc
Power On Indicator	Green LED
Output Indicator	Red LED
Signal Level Indicator	Green LED
Hysteresis	Approx. 35 %
Operation Frequency, Relay	Short range: 14 Hz / Long Range: 8 Hz
Operation Frequency, Transistor	Short range: 20 Hz / Long Range: 10 Hz
Housing Material	Polycarbonate

Environmental Data	
Operation Temperature	- 10 to +50 °C
Storage Temperature	- 40 to +80 °C
Sealing Class	IP 30

Approvals



Wiring Diagram



Dimensions

