

## MPA 81 A 501

## Multiplexed Amplifier

Remote Photoelectric Systems



Product Data	
Function	Amplifier
Supply Voltage	115 V ac
Sensing Range	35 m
Number of Channels	8
Output	8 individual relays
Sensitivity Adjustment	Manual
Housing	Screw terminals

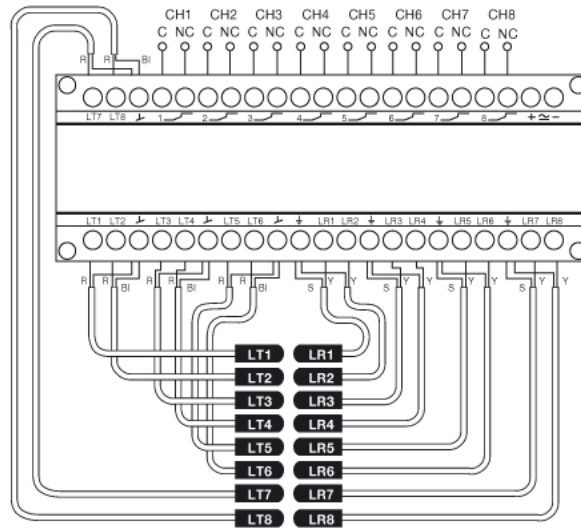
Technical Data	
Supply Voltage	115 V ac
Voltage Tolerance	+/- 15 %
Current Consumption	Max. 6,5 VA
Response Time ton / toff, Relay	Short range: 55 ms/55 ms Long Range: 100 ms/100 ms
Output, Relay	1 open/ 1 close, 250 V ac/3 A, 120 V ac/5 A
Power On Indicator	Green LED
Output Indicator	Red LED
Signal Level Indicator	Green LED
Hysteresis	Approx. 35 %
Operation Frequency, Relay	Short range: 9 Hz / Long Range: 5 Hz
Housing Material	Polycarbonate

Environmental Data	
Operation Temperature	- 10 to +50 °C
Storage Temperature	- 40 to +80 °C
Sealing Class	IP 30

Approvals



Wiring Diagram



Wire Code	
R	Red
BI	Black
Y	Yellow
S	Shield

Dimensions

